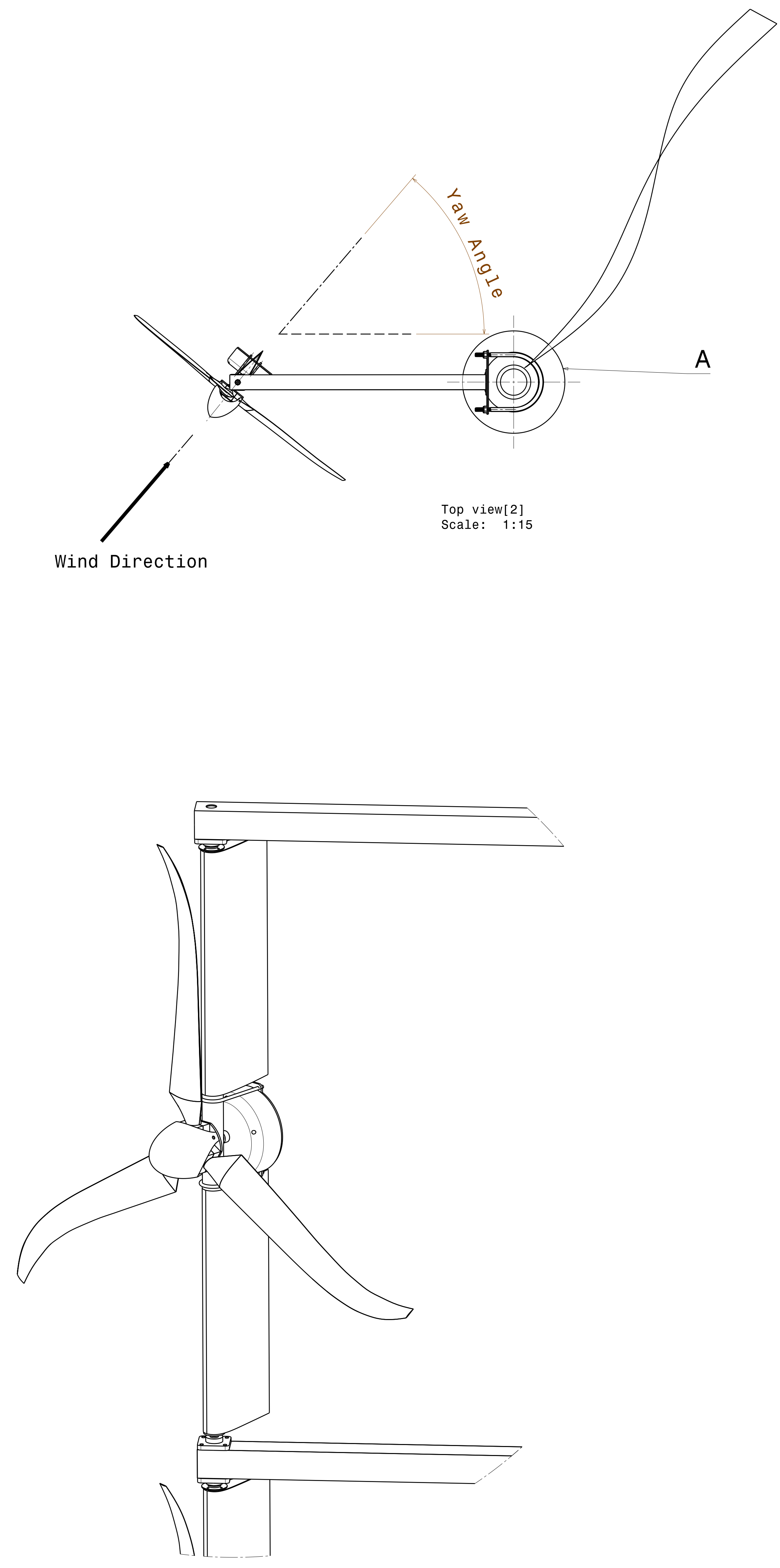
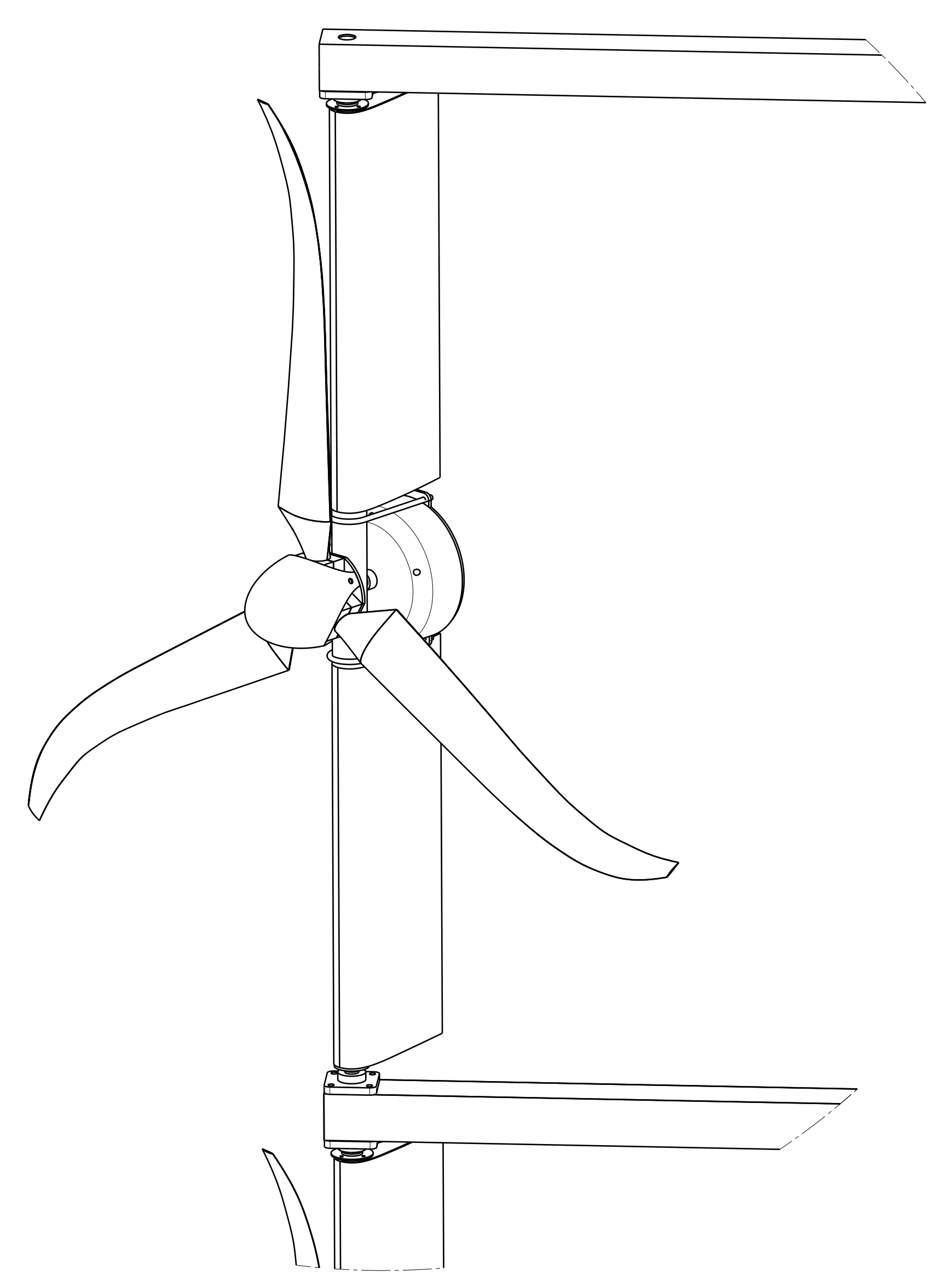


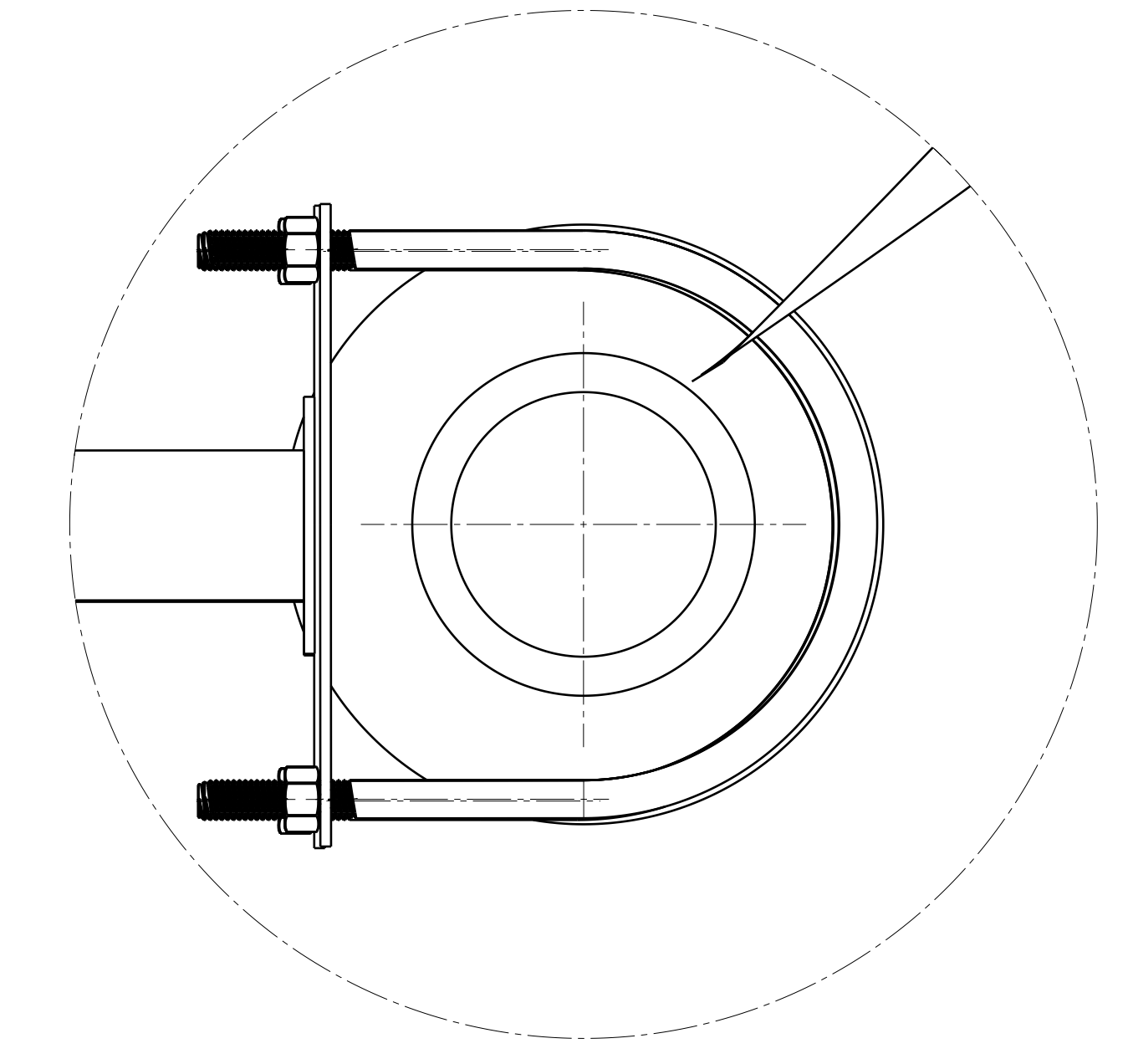
Isometric view[2]  
Scale: 1:25



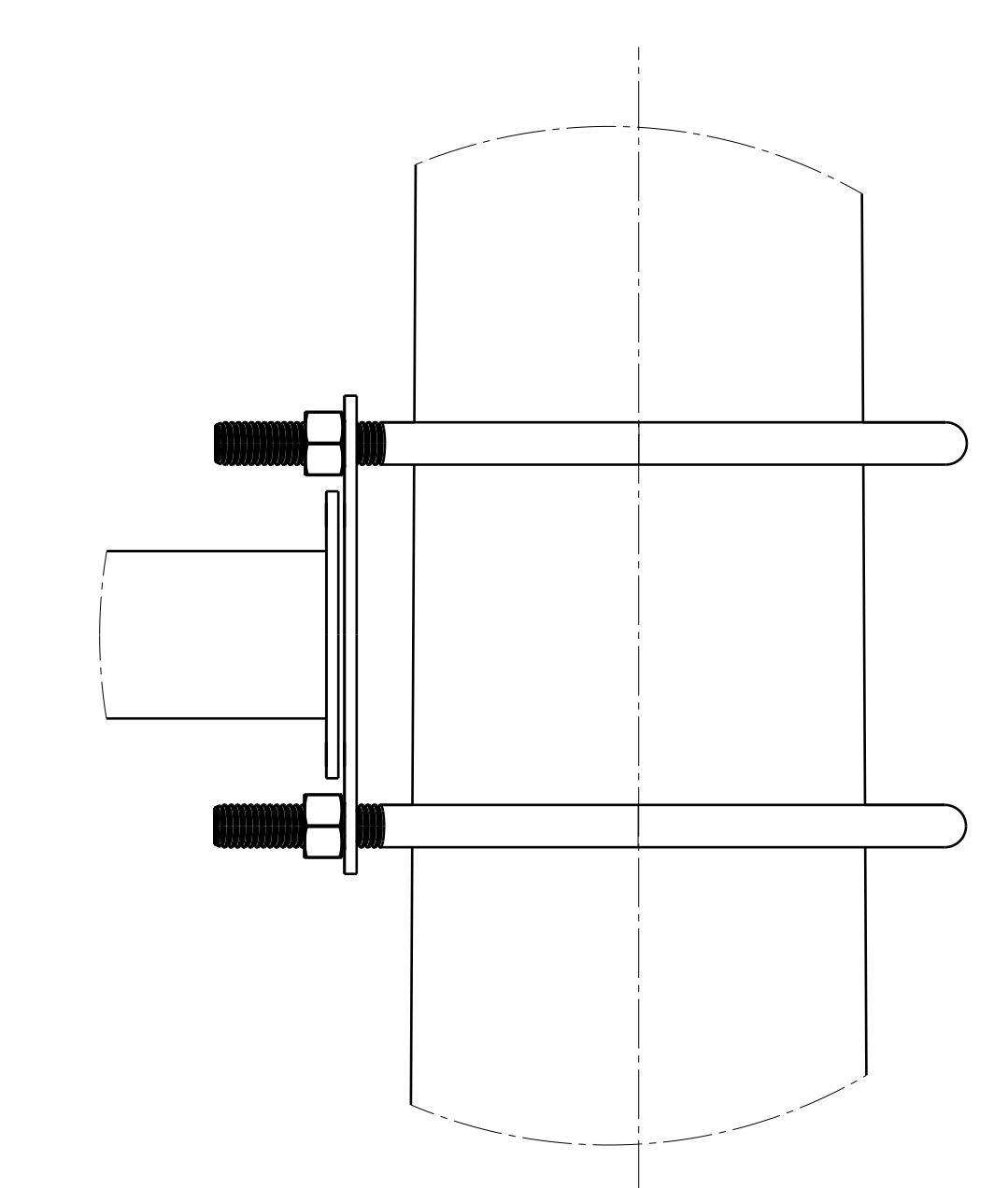
Top view[2]  
Scale: 1:15



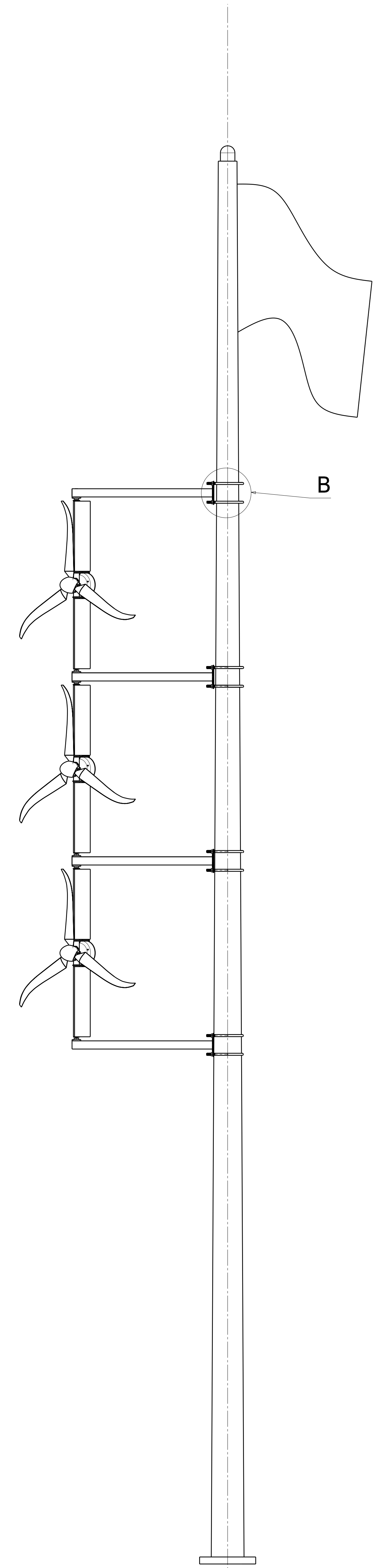
Detail C  
Scale: 2:15



Detail A  
Scale: 4:15



Detail B  
Scale: 4:15



Front view  
Scale: 1:25

Flag Pole Mounted Small Wind Turbine  
Michael Duffy  
Feb. 5th, 2010