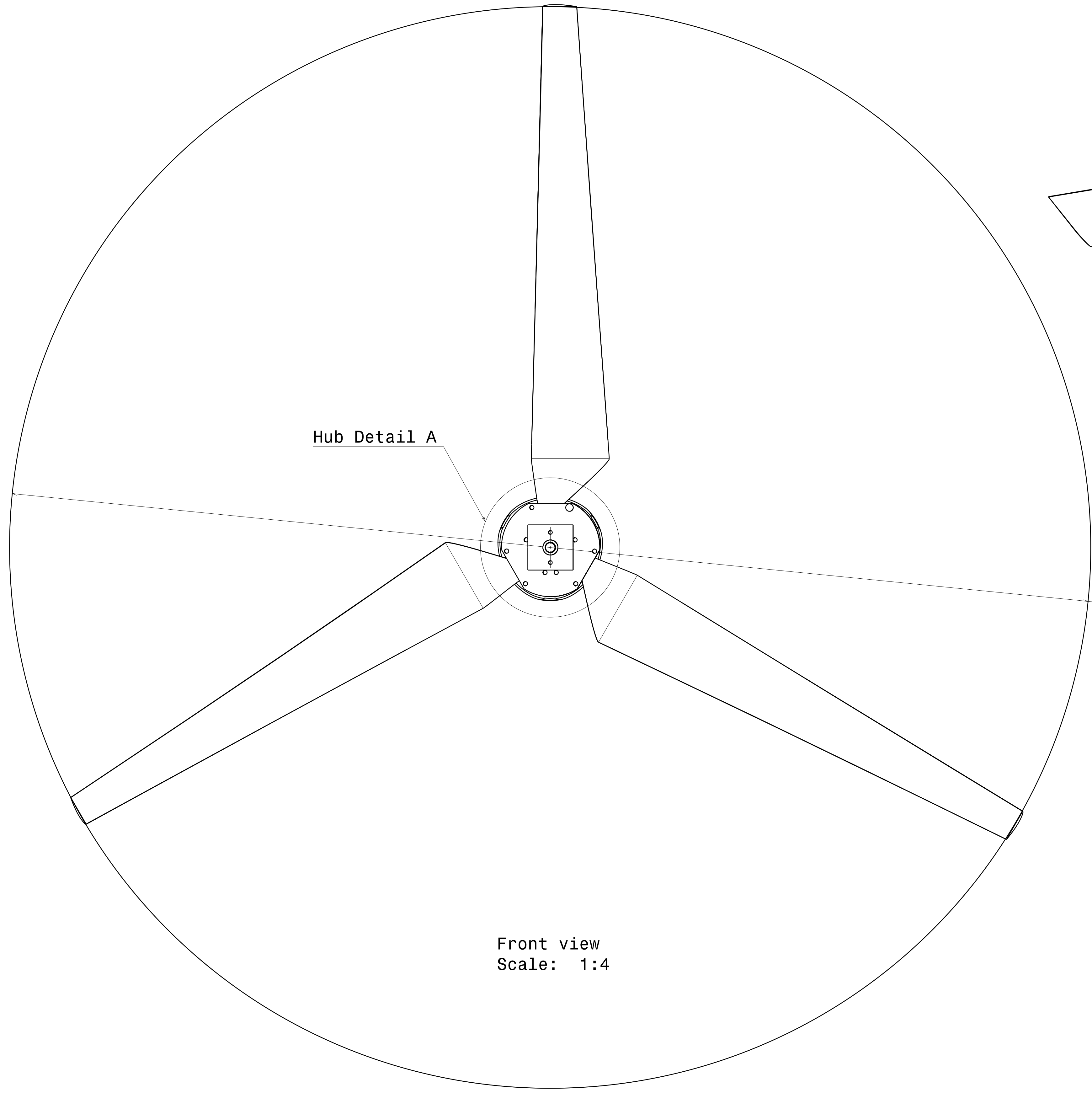


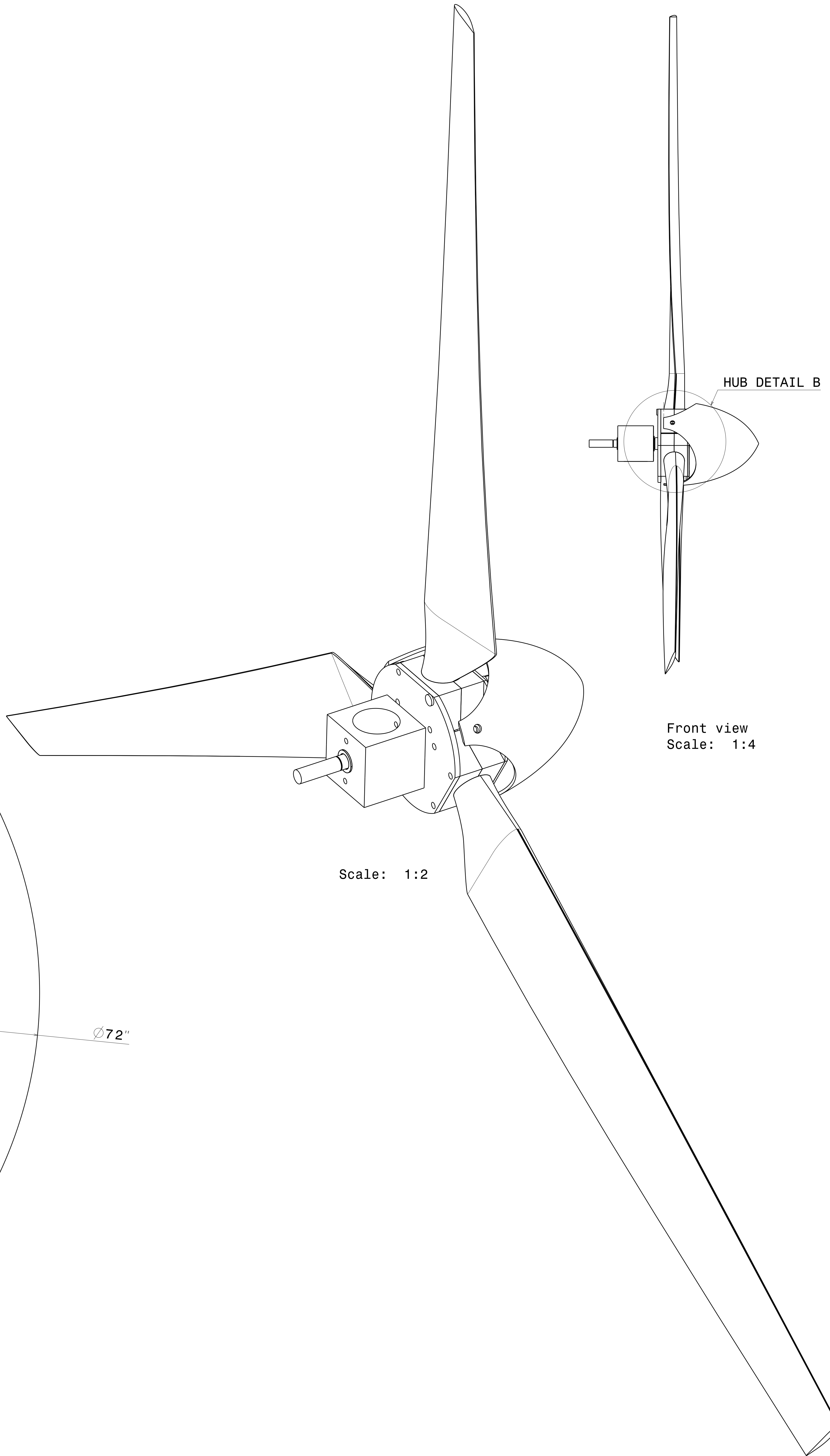
Hub Detail A
Scale: 1:1



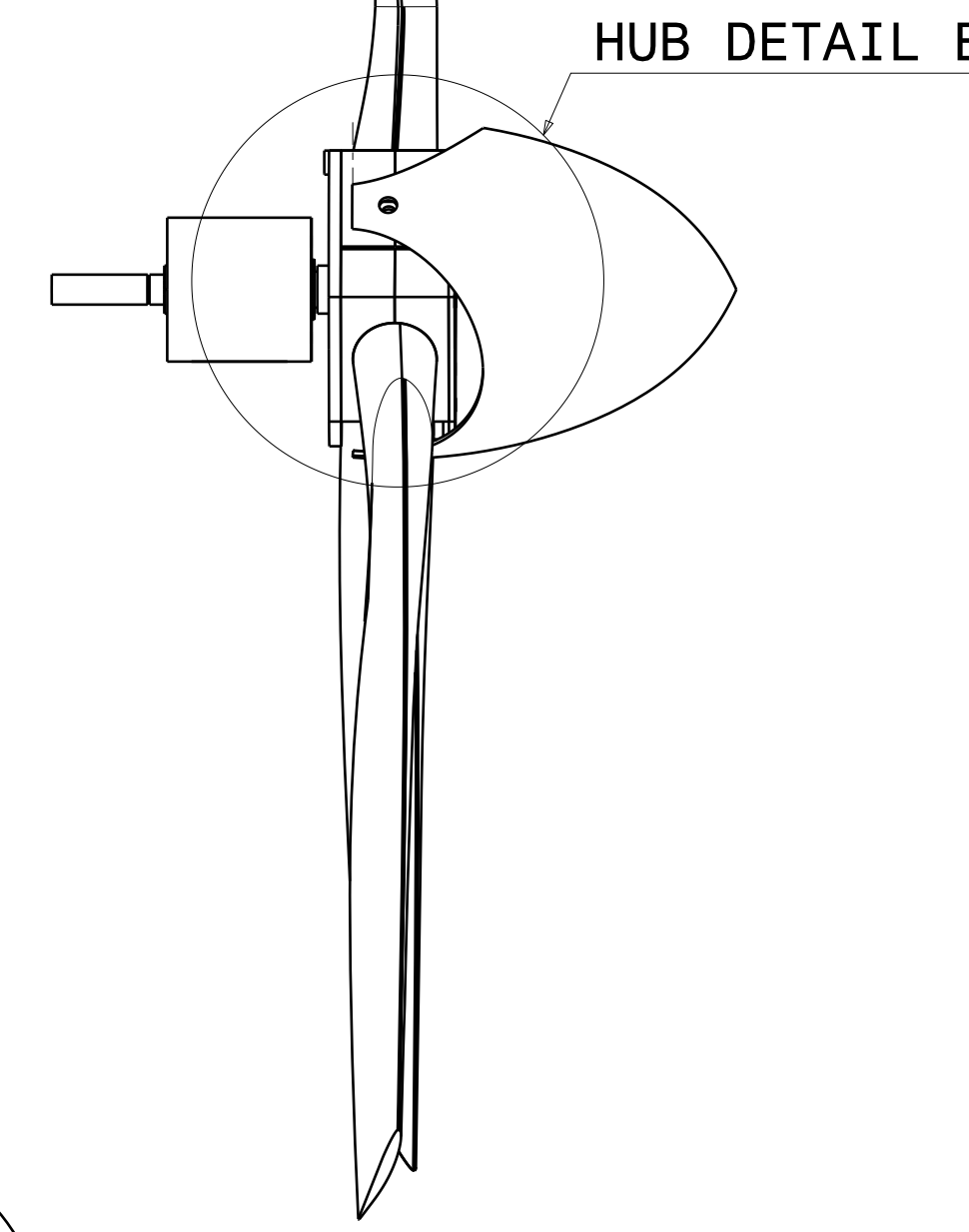
Hub Detail A

Ø72"

Front view
Scale: 1:4

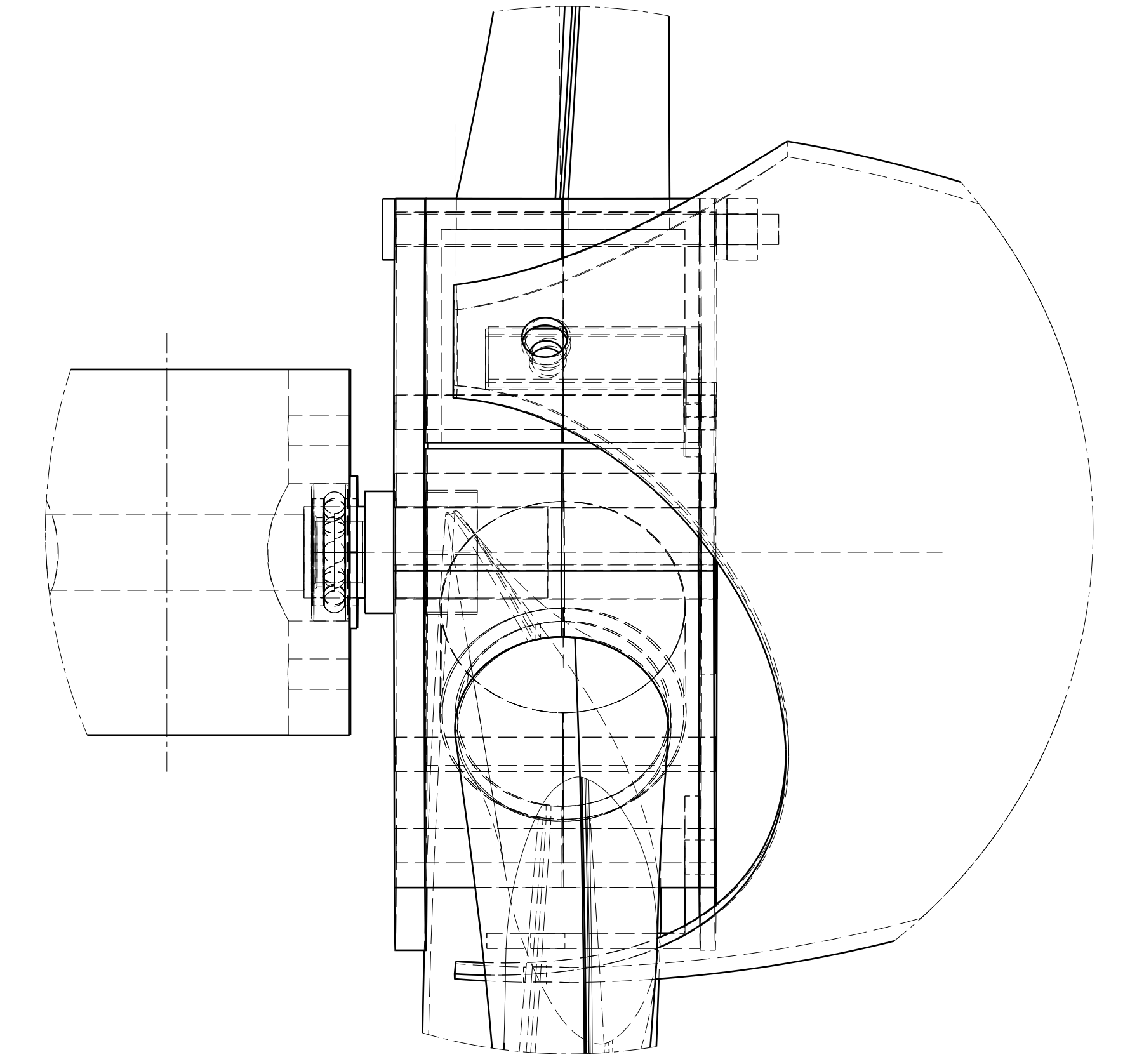


Scale: 1:2



HUB DETAIL B

Front view
Scale: 1:4



HUB DETAIL B
Scale: 1:1

Georgia Institute of Technology		Michael Duffy			
DRAWN BY Michael Duffy	DATE 10/09/2008	DRAWING TITLE Wind Turbine Rotor '1' Assembly Drawing			
CHECKED BY XXX	DATE xxx	SIZE A0	DRAWING NUMBER 001	REV D	
DESIGNED BY XXX	DATE xxx	SCALE 1:2	WEIGHT (lb) TBD	SHEET 1/2	