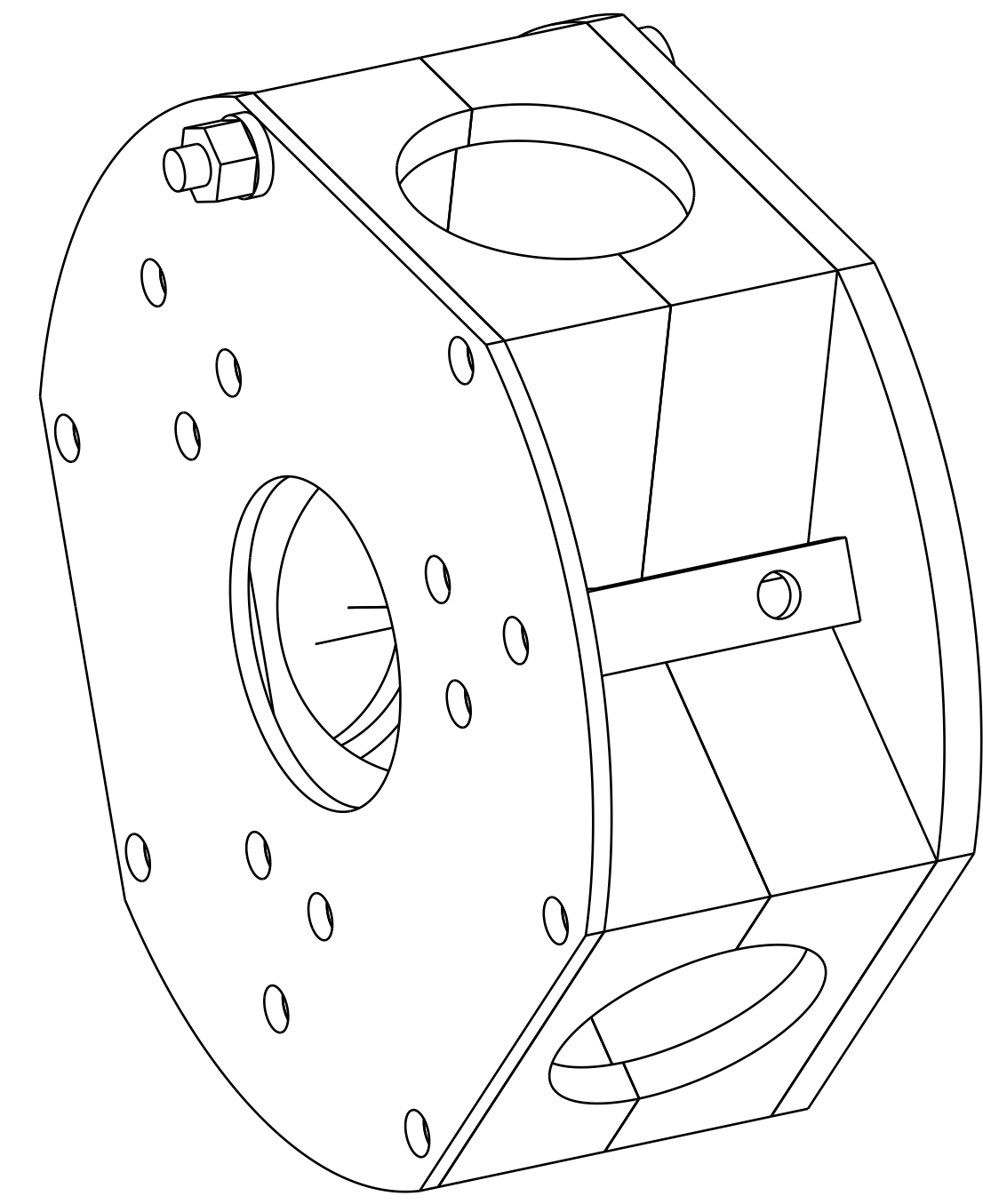
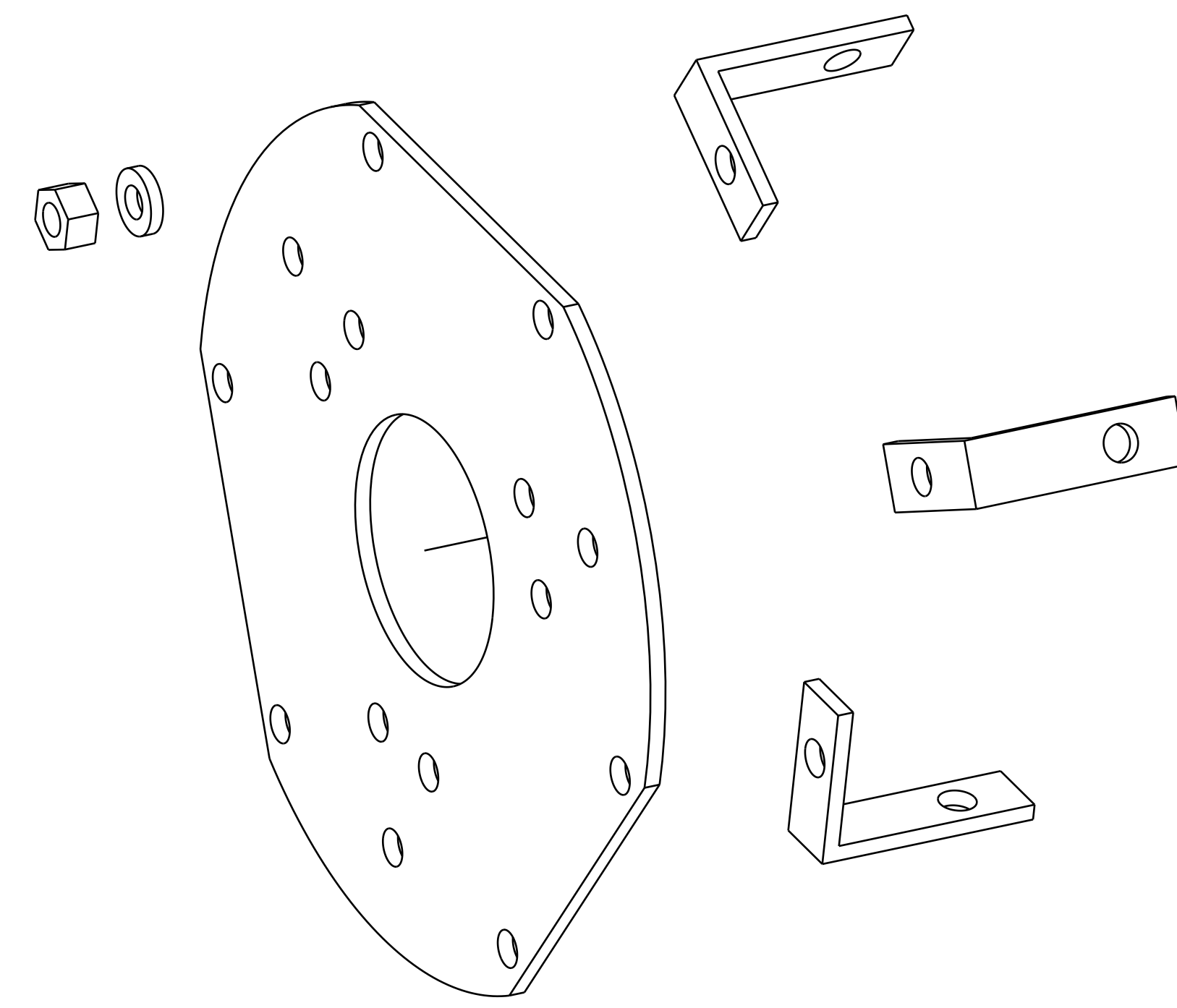


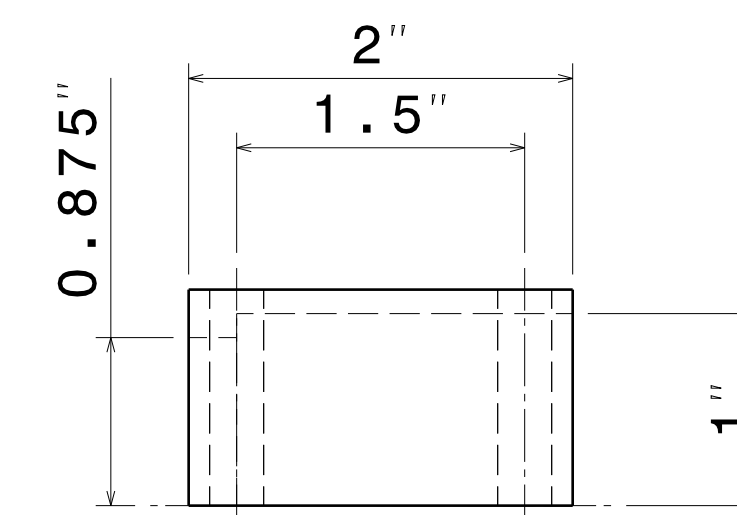
Side view  
Scale: 1:1



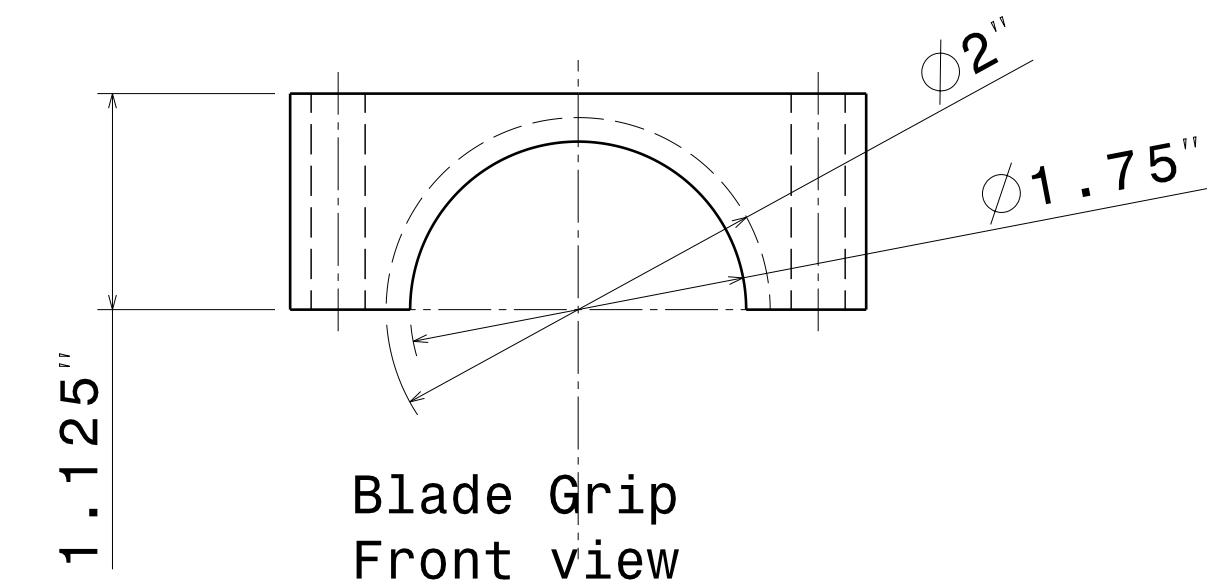
Iso Assembled  
Scale: 1:1



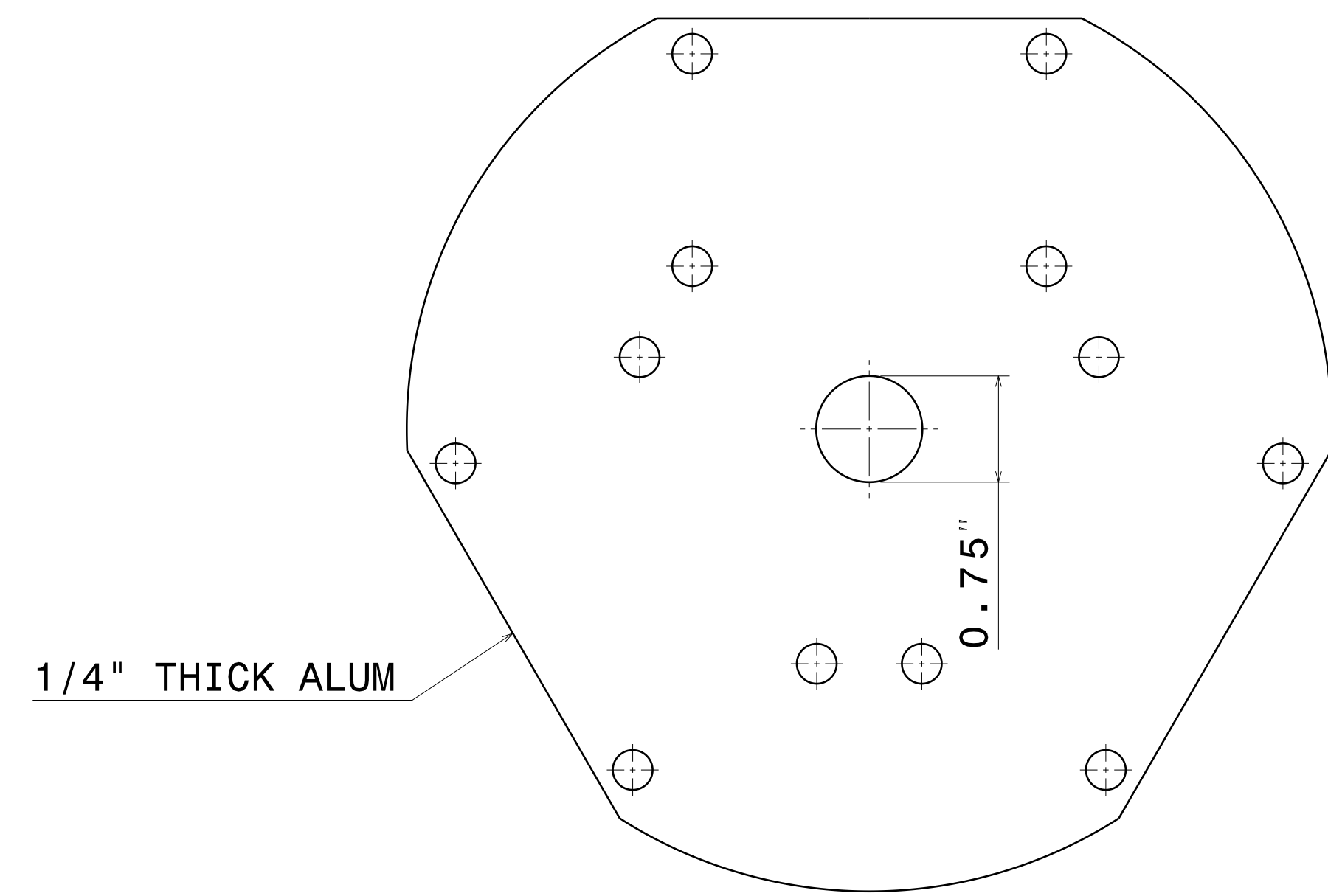
Iso Dis-assembled  
Scale: 1:1



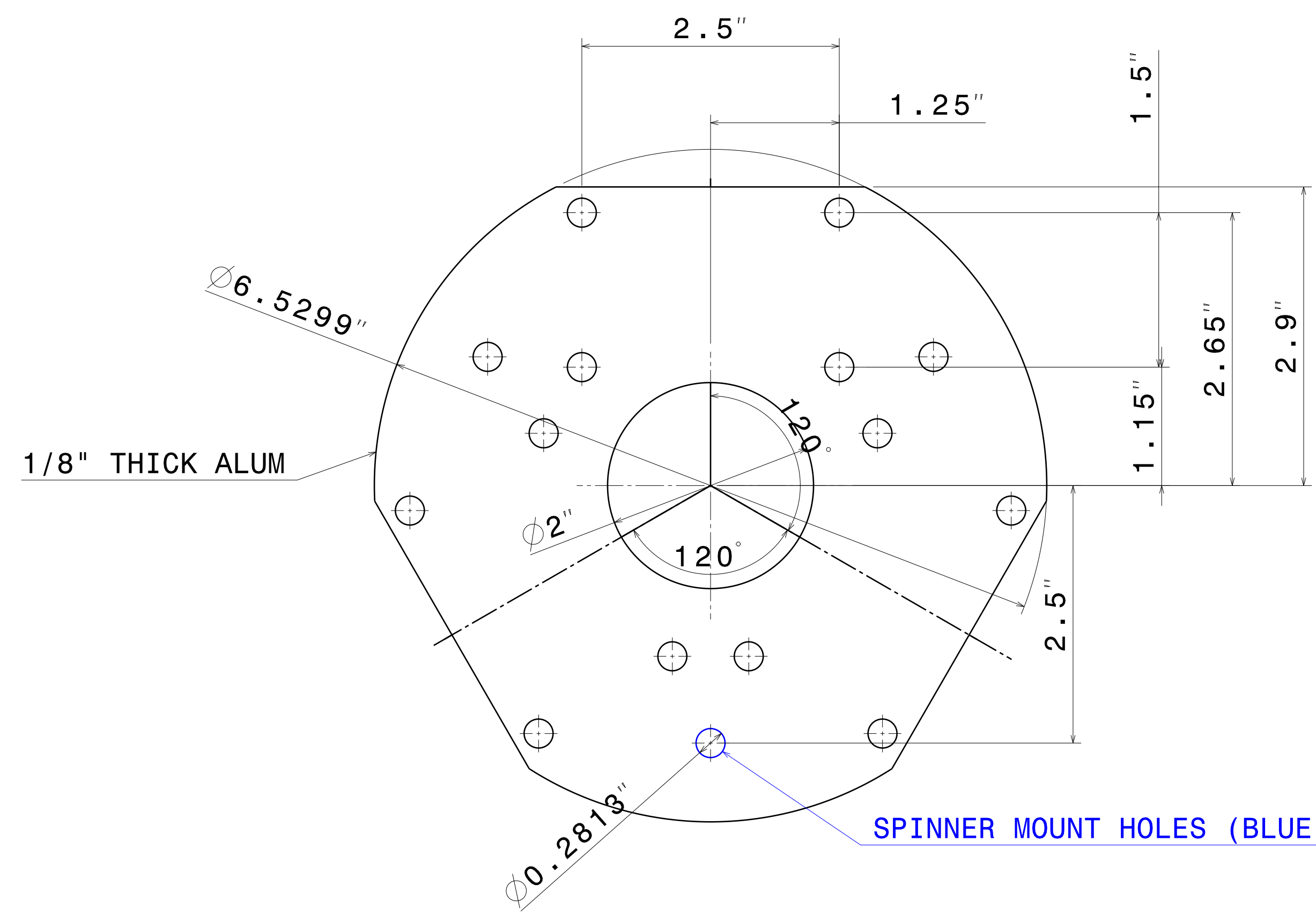
Blade Grip  
Right view  
Scale: 1:1



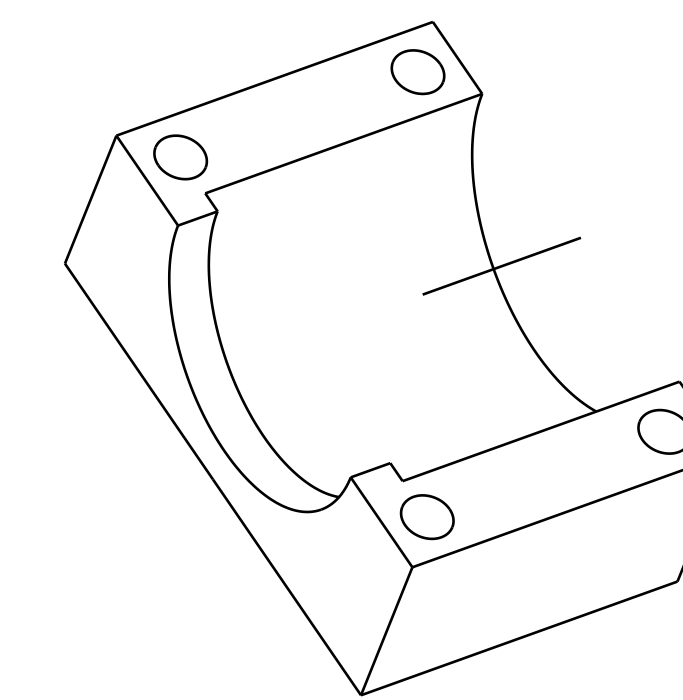
Blade Grip  
Front view  
Scale: 1:1



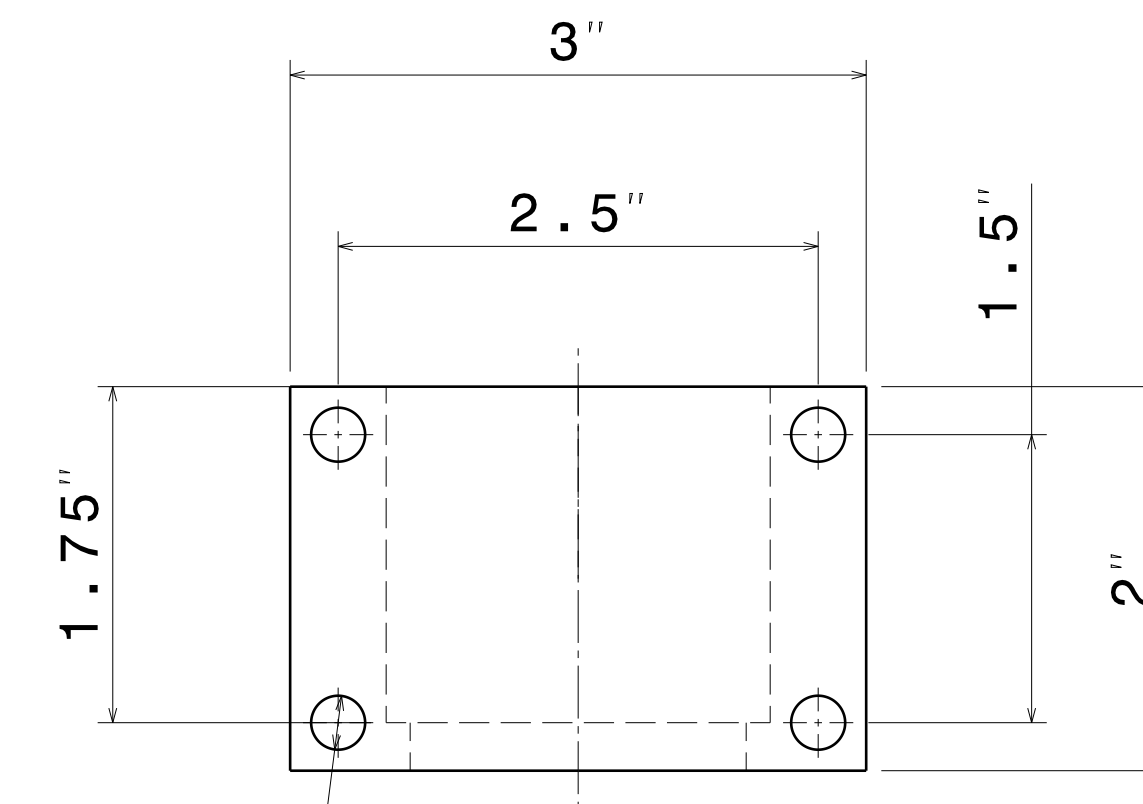
AFT HUB MOUNT PLATE  
Scale: 1:1



FWD HUB MOUNT PLATE  
Scale: 1:1



Isometric view  
Scale: 1:1



Top view  
Scale: 1:1

Part	Material	Quantity	Material Number
Fwd Hub Plate	Alum	1x	
Blade Grip	Alum	6x	
Aft Hub Plate	Alum	1x	

Tolerance +/- 0.010"

Georgia Institute of Technology		Michael Duffy	
DRAWING TITLE			
Hub Plate & Blade Grip			
DRAWN BY	DATE	SIZE	DRAWING NUMBER
Michael Duffy	10/09/2008	A0	002
CHECKED BY	DATE	SCALE	WEIGHT (lb)
XXX	xxx	1:1	3.28
DESIGNED BY	DATE	SHEET	REV
MD	xxx	2/2	D