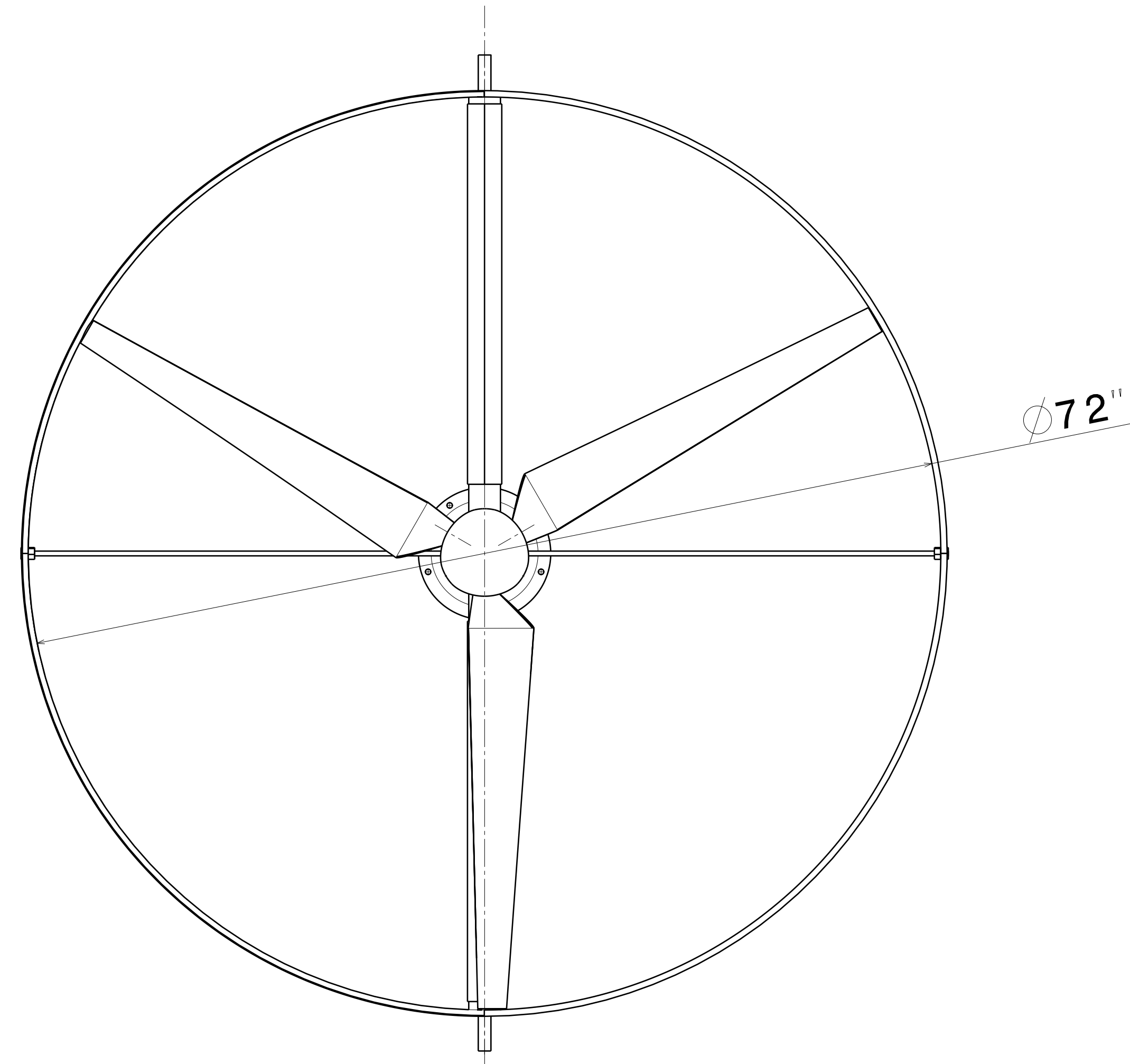
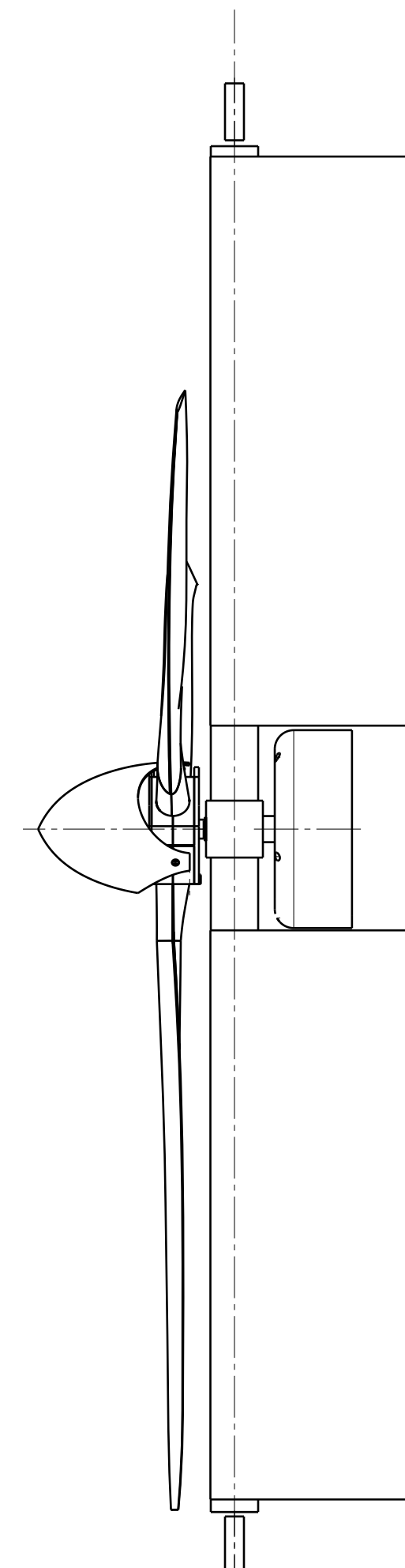


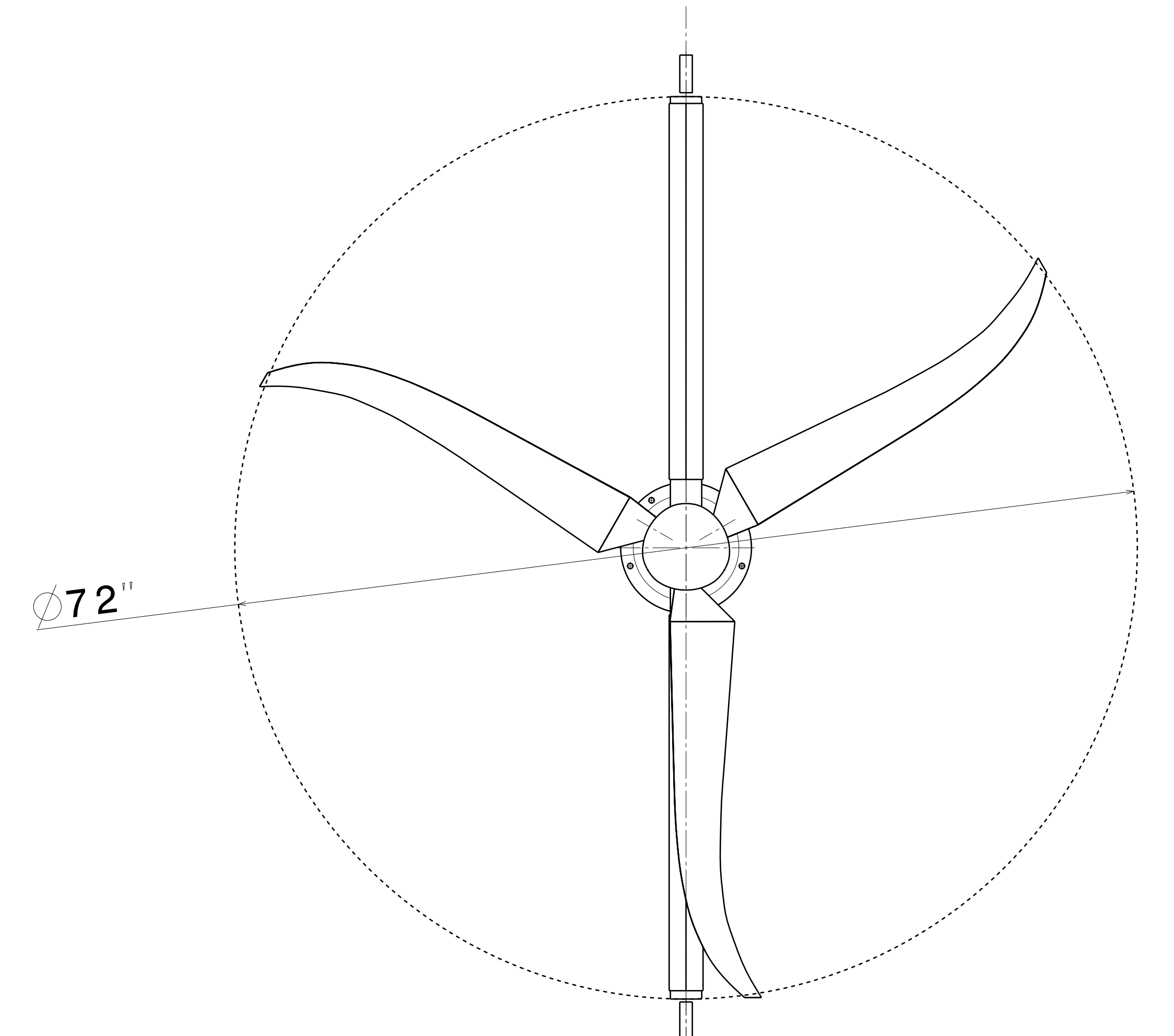
Right view
Scale: 1:8



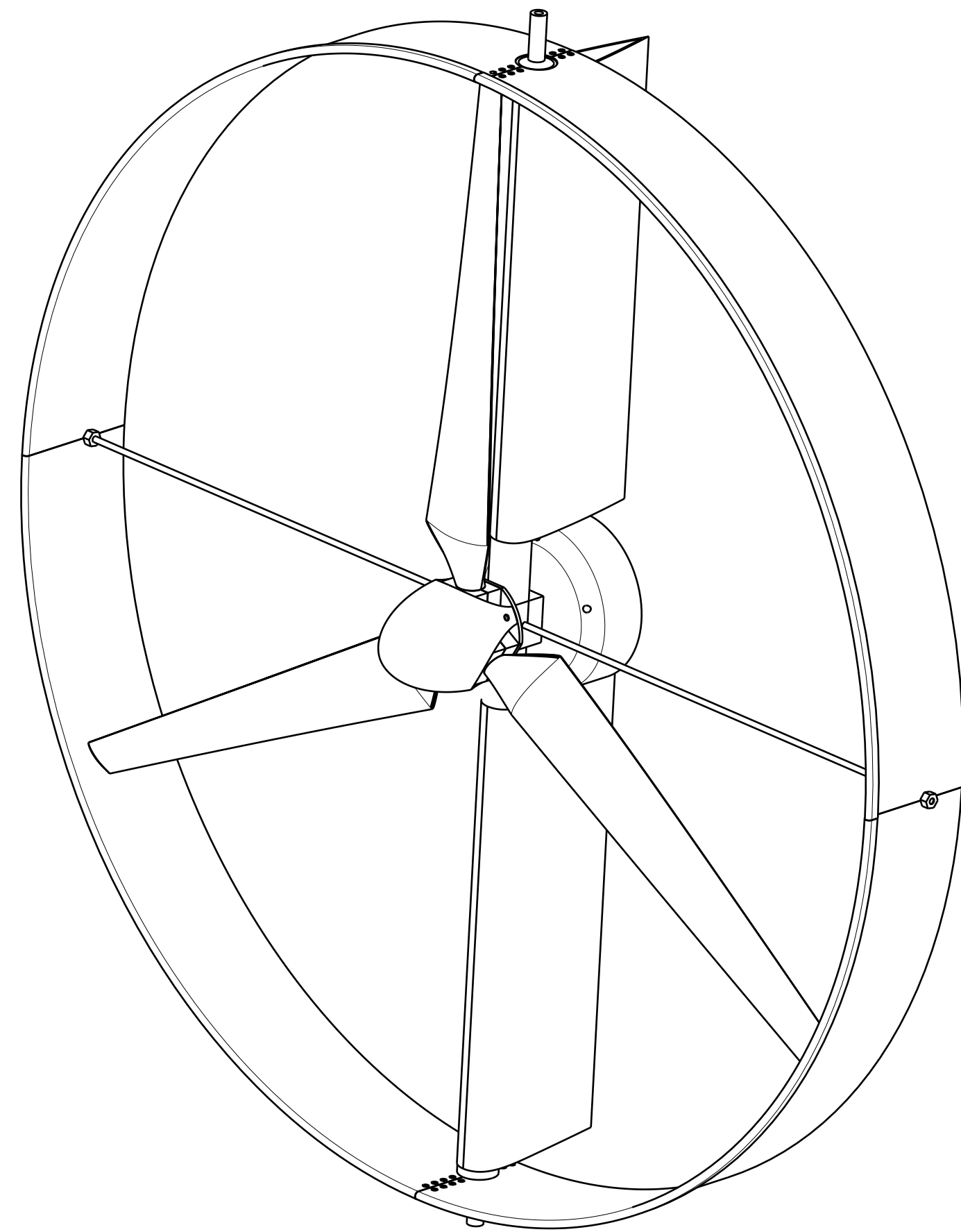
Front view
Scale: 1:8



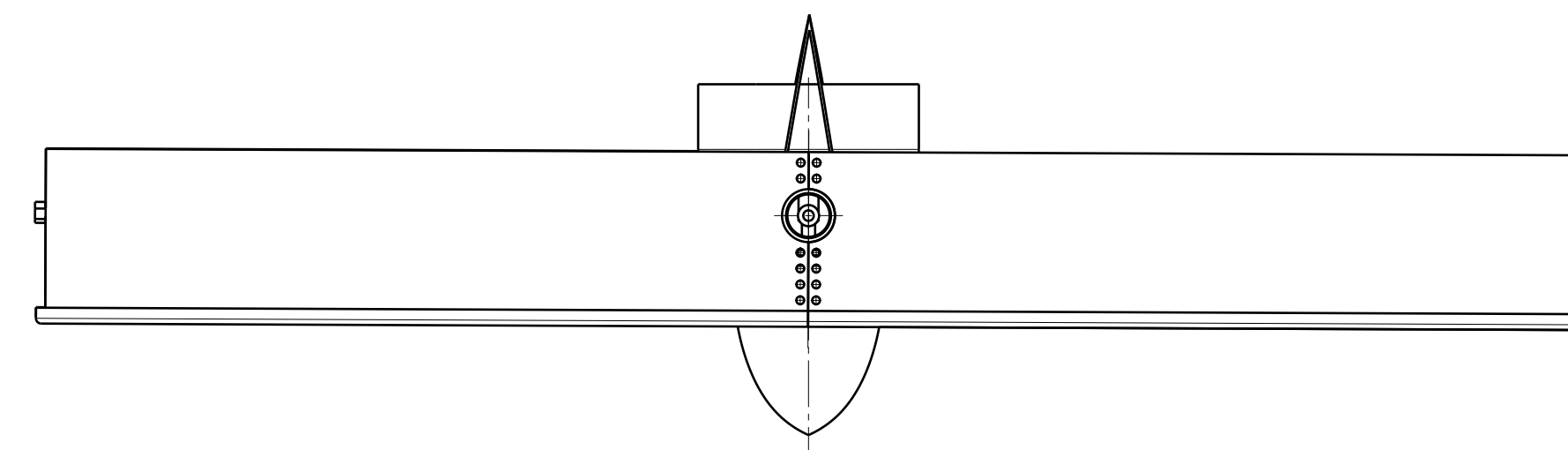
Right view
Scale: 1:8



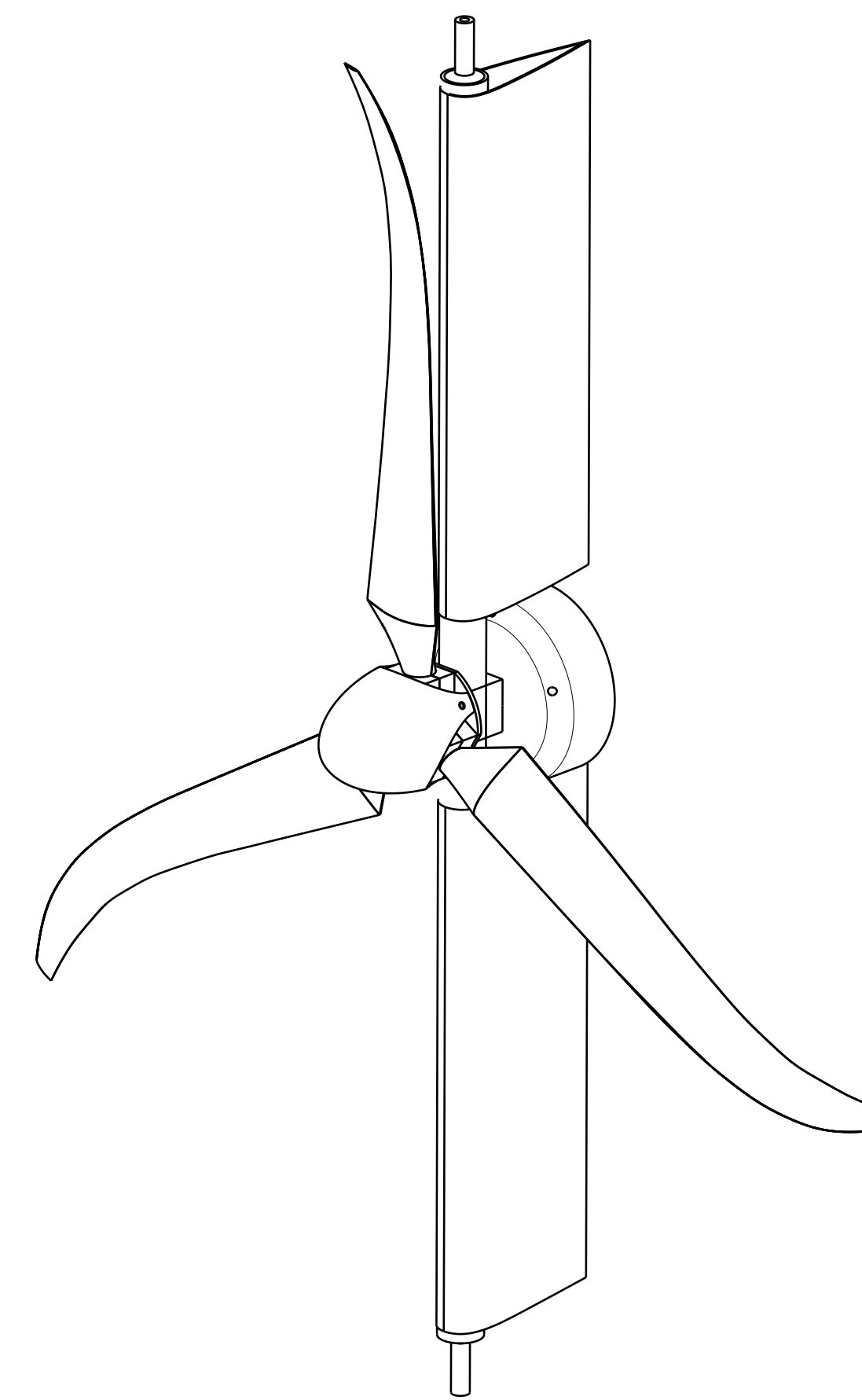
Front view
Scale: 1:8



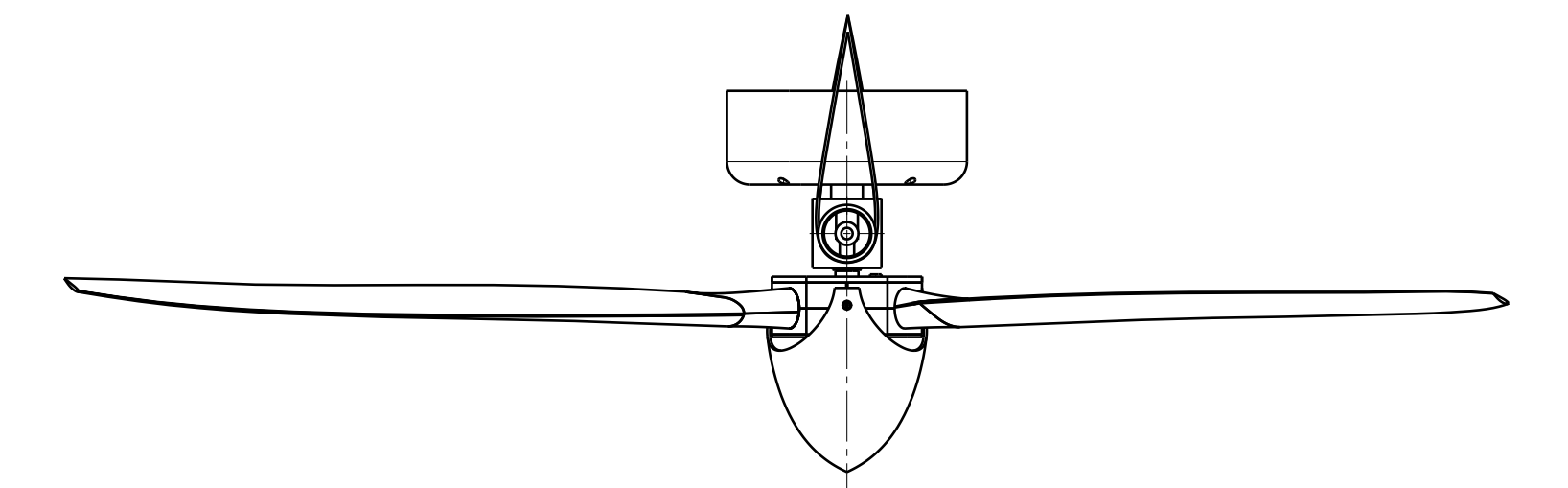
Isometric view
Scale: 1:8



Top view
Scale: 1:8



Isometric view
Scale: 1:8



Top view
Scale: 1:8

Georgia Institute of Technology		Michael Duffy		
DRAWN BY	DATE	DRAWING TITLE		
Michael Duffy	02/20/2009	Wind Turbine Assembly		
CHECKED BY	DATE	SIZE	DRAWING NUMBER	REV
XXX	xxx	A0	001	X
DESIGNED BY	DATE	SCALE	WEIGHT	SHEET
XXX	xxx	1:8		1/1